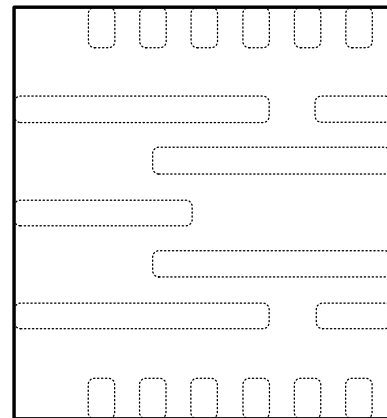


SCT63340

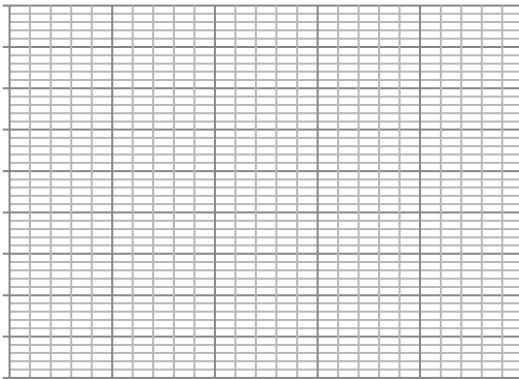
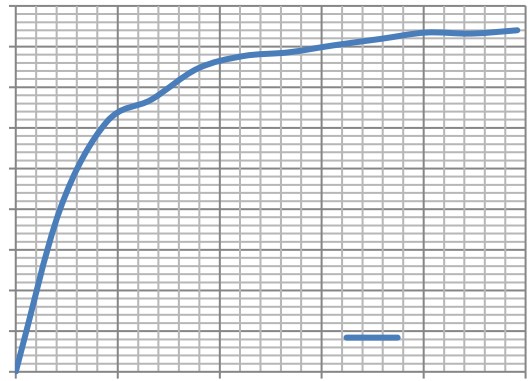
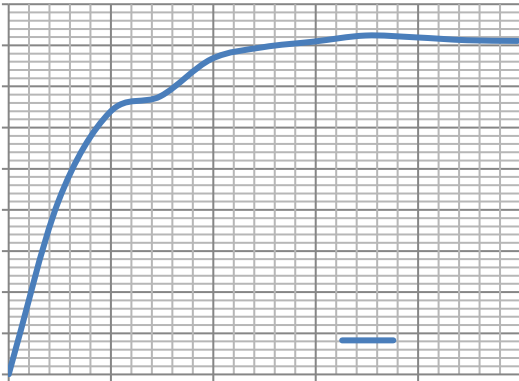
ORDERABLE DEVICE	PACKAGING TYPE	STANDARD PACK QTY	PACKAGE MARKING	PINS	PACKAGE DESCRIPTION	MSL

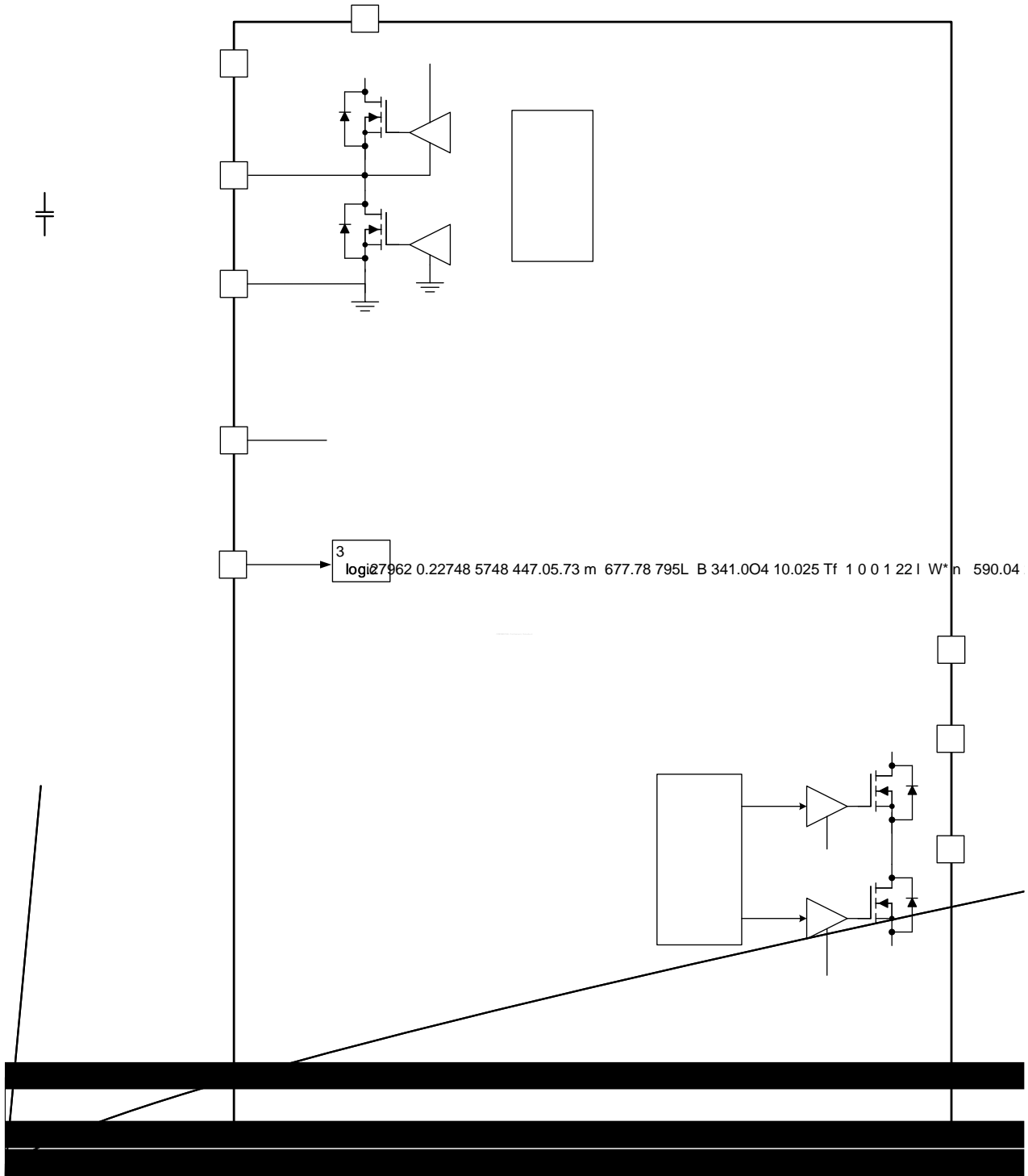
DESCRIPTION	MIN	MAX	UNIT



SCT63340

PARAMETER	THERMAL METRIC	FCTQFN4X4-22L	UNIT



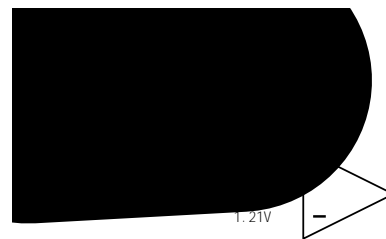


Overview

Enable and Start up Sequence

$$V_{\text{rise}} = 1.19 * \left(1 + \frac{R1}{R2}\right) - 1.5\mu\text{A} * R1$$

$$V_{\text{fall}} = 1.1 * \left(1 + \frac{R1}{R2}\right) - 5.5\mu\text{A} * R1$$



dr b □ b □ S L □ b i b ā s ab

SCT63340

5V Output Buck Converter

Full Bridge Power Stage and PWM Control

Full Bridge Over Current Protection

Current Sense

$$V_{ISNS} = 600\text{mV} + I_{PGND} * 1\text{V/A}$$

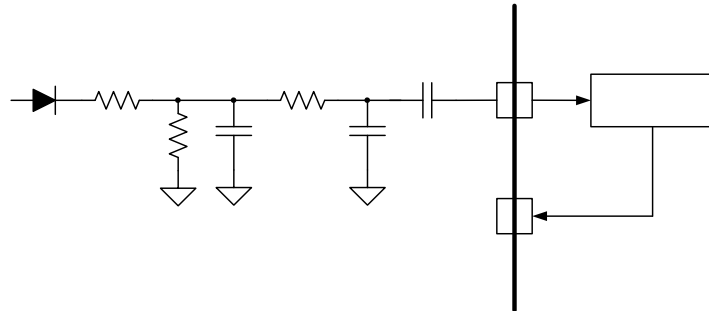
3.3V LDO

Q Factor Detection

$$Q = \frac{\Delta T * \pi}{10 * \ln \frac{V_{TH_HIGH}}{V_{TH_LOW}}}$$

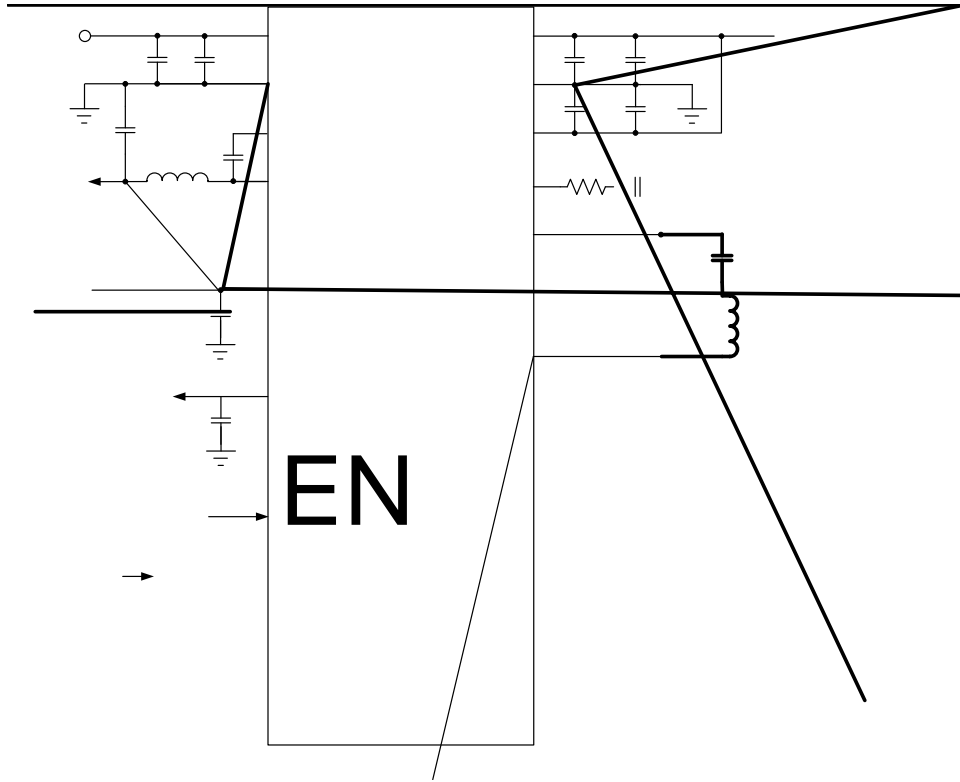
- Δ
-
-

Voltage and Current Demodulation

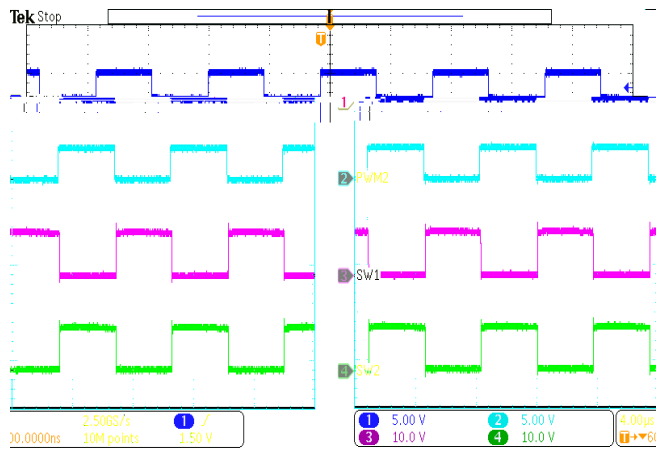
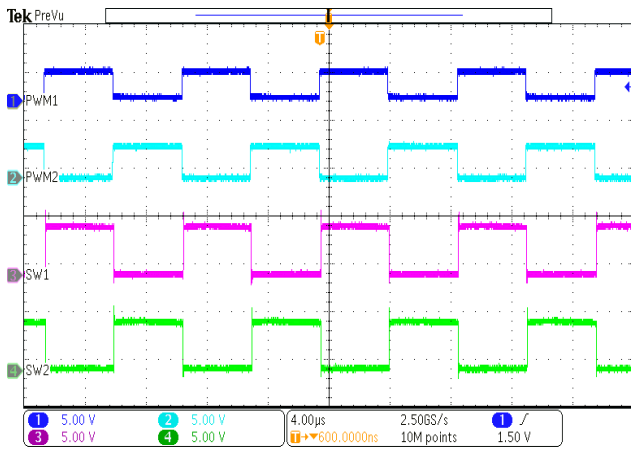
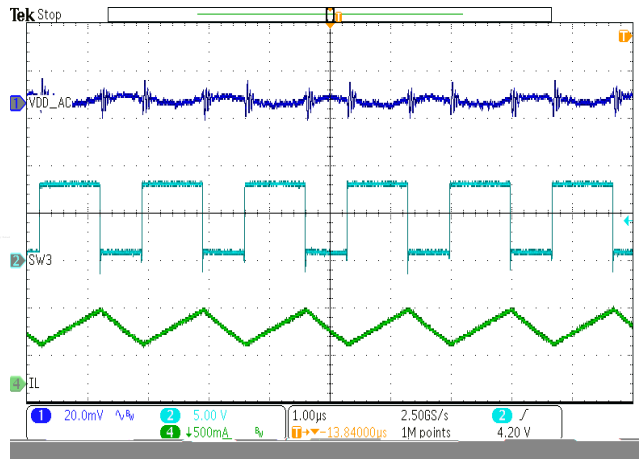
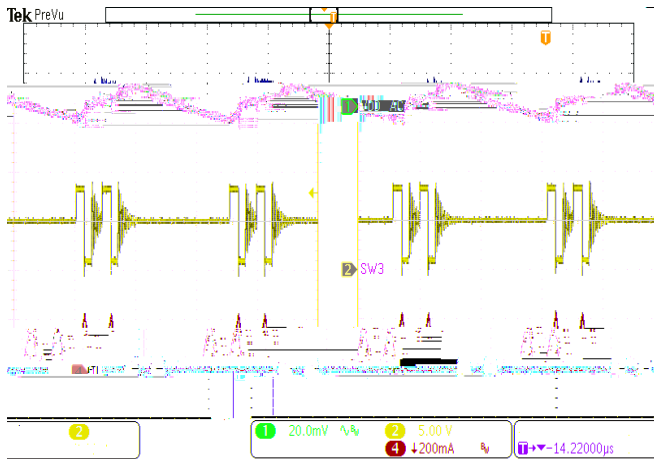
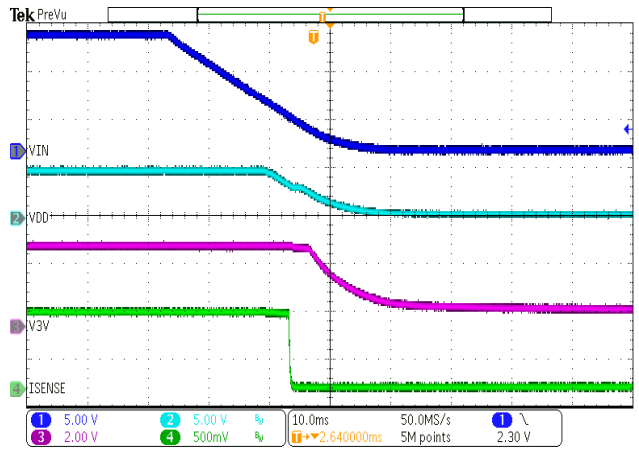
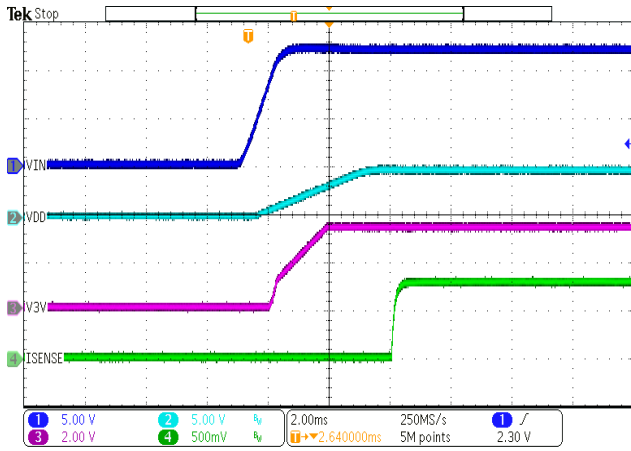


Thermal Shutdown

Typical Application

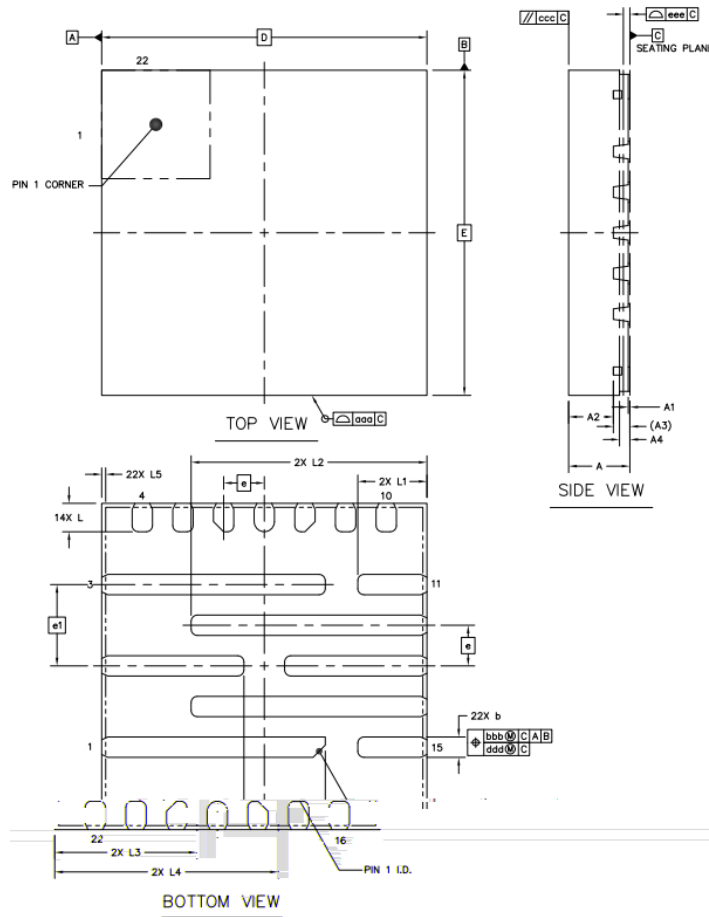


Application Waveforms



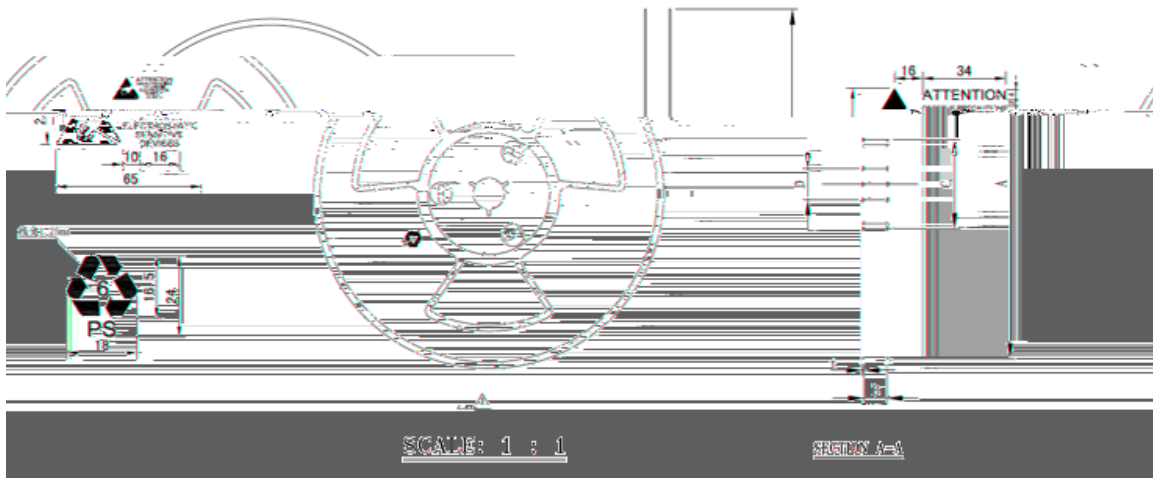
Layout Guideline

SCT63340

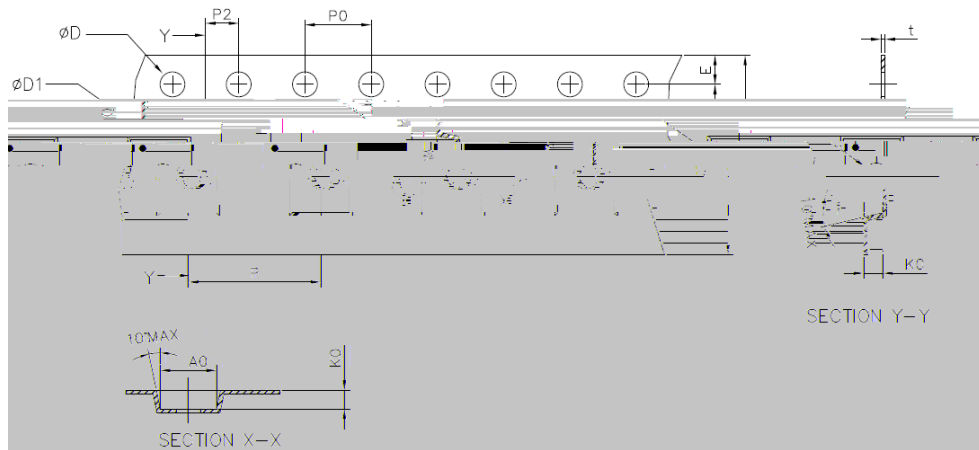


	SYMBOL	MIN	NOM	MAX
STAND OFF	ccc			A1
WELD THICKNESS	ddd			A2
LEAD THICKNESS	eee			A3
LEAD WIDTH	fff			A4
LEAD PITCH	g			X
LEAD PITCH	h			e
LEAD PITCH	i			e1
LEAD PITCH	j			L
LEAD PITCH	k			L1
LEAD LENGTH	l	2.85	2.9	2.95
LEAD LENGTH	m	1.75	1.75	1.8
LEAD LENGTH	n	2.7	2.75	2.8
WETTABLE WIDTH	o	0.05		0.05
TOLERANCE	aaa	0.1		
TOLERANCE	bbb	0.1		
TOLERANCE	ccc	0.05		
TOLERANCE	ddd	0.1		
TOLERANCE	eee	0.1		
TOLERANCE	fff	0.1		
TOLERANCE	ggg	0.1		
TOLERANCE	hhh	0.1		
TOLERANCE	iii	0.1		
TOLERANCE	jjj	0.1		
TOLERANCE	kkk	0.1		
TOLERANCE	lll	0.1		
TOLERANCE	mmm	0.1		
TOLERANCE	nnn	0.1		
TOLERANCE	ooo	0.1		
TOLERANCE	ppp	0.1		
TOLERANCE	qqq	0.1		
TOLERANCE	rrr	0.1		
TOLERANCE	sss	0.1		
TOLERANCE	ttt	0.1		
TOLERANCE	uuu	0.1		
TOLERANCE	vvv	0.1		
TOLERANCE	www	0.1		
TOLERANCE	xxx	0.1		
TOLERANCE	yyy	0.1		
TOLERANCE	zzz	0.1		

NOTE:



--	--	--	--	--	--



			+0.10 0	+0.25 0	

PN	DESCRIPTION	COMMENTS
SCT63240		<ul style="list-style-type: none"> • • • • • • • • • •
SCT63140		<ul style="list-style-type: none"> • • • • • • • • • •

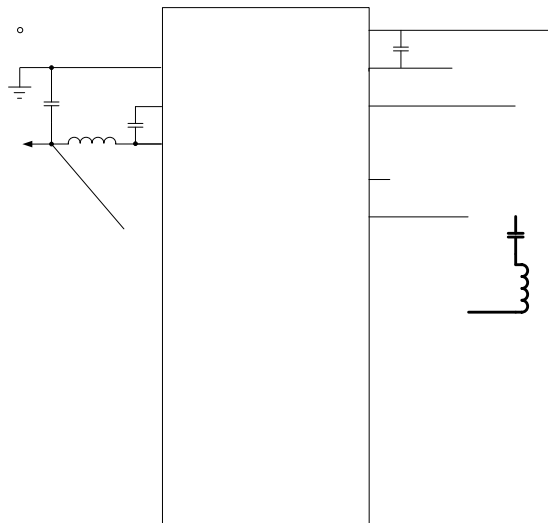


Figure 25. SCT63240 Typical Application

NOTICE: